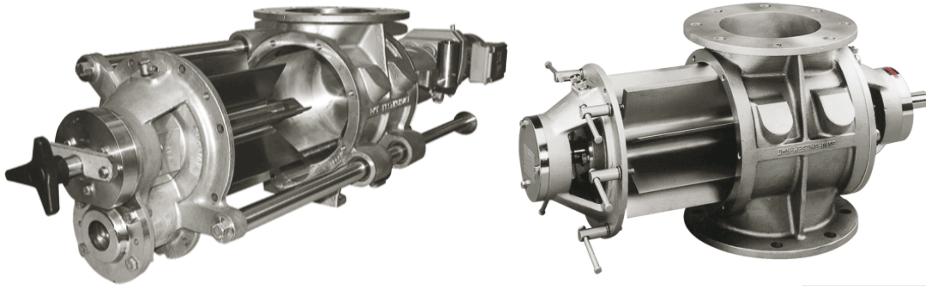


THEREC CORPORATION LTD.

Food Grade Bulk Material Handling Equipment



Drop & Blow Through Food Grade Rotary valve
USDA approved / Easy clean, Quick detachable,
Dairy (Milk Powder handling) type



Diverter Valve Multi-port Type / USDA approved Diverter Valve, Plug & Ball Type for CIP



Sanitary (Medicine) Type Rotary valve

CIP suitable Type Rotary valve



Easy Clean Screw Feeder



Food Grade Screw Feeder



Coreless & Flexible Screw Feeder



Therrec Corporation Ltd.

Tel ☎ (662) 416 8467-8 ,899 4097

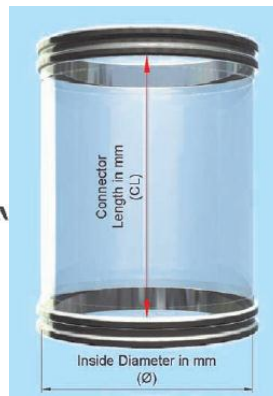
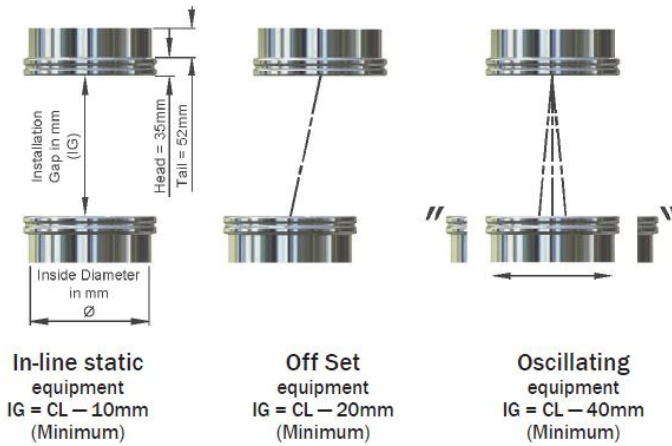
88 Soi Karnjanapisek 4/2 Karnjanapisek Rd. Bangbon Bangkok
10150 Thailand

www.thereccorp.com

Fax : (662) 426 8469

Food grade product TRC 021 2016

Food Grade Bulk Material Handling Accessories



Seeflex Regulations - EC, FDA, USDA, 3A



- Used on all types of stationary, vibratory & gyratory sifters, screeners, feeders, bin discharges, hoppers, conveyors, packing equipment or any product handling equipment
- Dust control sleeves and transitions, the 1st choice for dust free factories
- Superior chemical resistance for CIP and washing
- Excellent abrasion resistance
- Smooth welded seam

Our BFM Fitting System can turn your problem from the Left to the Right.

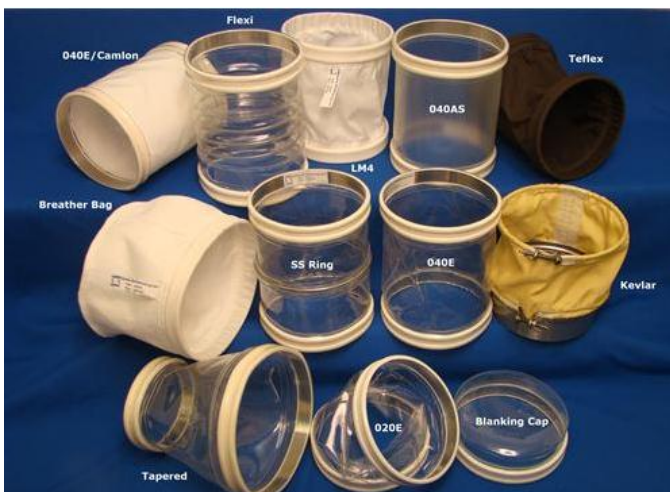


Seeflex 040E is a clear ether based thermoplastic polyurethane alloy. Having no memory Seeflex 040E will not fracture as a result of constant flexing.

Atex Compliant: IBExU tested. Can be used in all dust explosion hazardous area's. (A copy of certification is available on request)

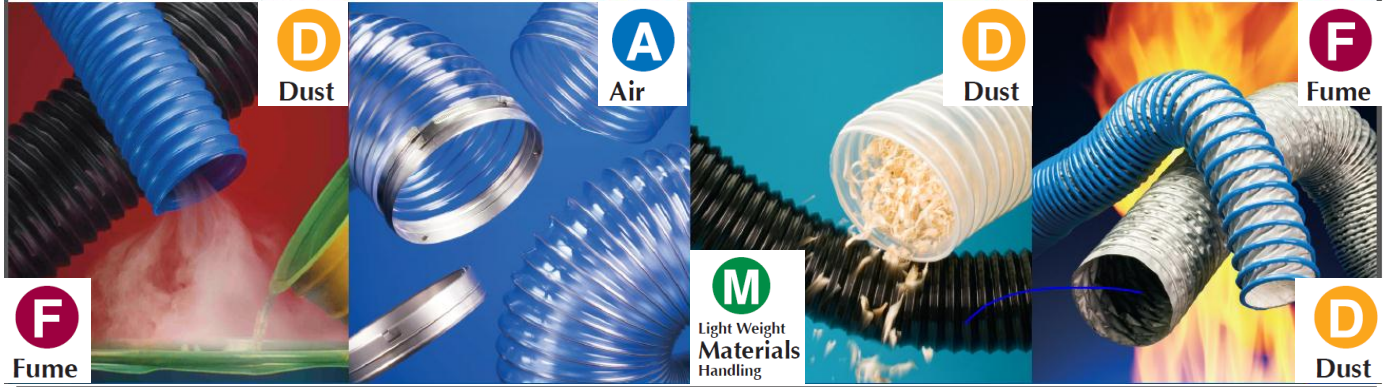
Complies with the following regulations:
FDA CFR 177.1680. & 177.2600
(EC) 1935/2004, 2023-2006, 2002/72, 10/2011
USDA & 3A (20-)

Standard 040E BFM Fitting Connector for many application, especially in Food.



Many Choices of Material and Many Shape, Sizes and Length, on requested for your specified need.

Bulk material Handling Accessories



Flx-Thane® MD



Size Range (In) stock 2" to 24"
 Standard Length (Ft) 25', 50'
 Standard Colors black, clear
 Temperature Range (°F) -65° to 225°

- Medium weight polyurethane hose reinforced with a bronze coated spring steel wire helix
- Good compressibility
- Great abrasion resistance & high tear strength
- Superior chemical resistance
- Excellent flexibility
- Designed for applications with wide temperature ranges
- Very good low temperature flexibility
- Clear is manufactured with FDA acceptable materials
- Available in metric sizes, consult sales team on pricing & minimums
- Wall Thickness = .030"



Flexible Hose for Air, Gas and Bulk Material Transferring/ FDA acceptable

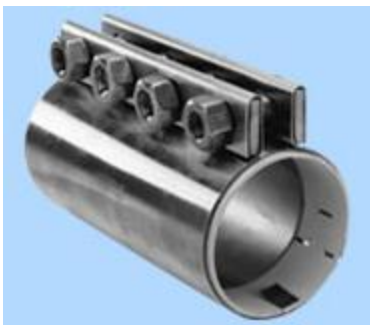
QUALITY HOSES
FOR OVER 65 YEARS

GS



Size Range (In) stock 1" to 12"
 Standard Length (Ft) 12'
 Standard Colors iron oxide red
 Temperature Range (°F) -65° to 550°
 intermittent to 600°

- Double-ply silicone coated fiberglass fabric hose reinforced with a spring steel wire helix & external filament fiberglass cord
- Suited for high temperature air handling applications
- The narrow pitch allows for tight bending radius while maintaining a smooth air flow
- Ideal for plastic processing applications
- Non-kinking
- Resistant to many oils & solvents, ozone, water, fungus & alkalis
- Not recommended for continuous flexing



Our Quality Commitment

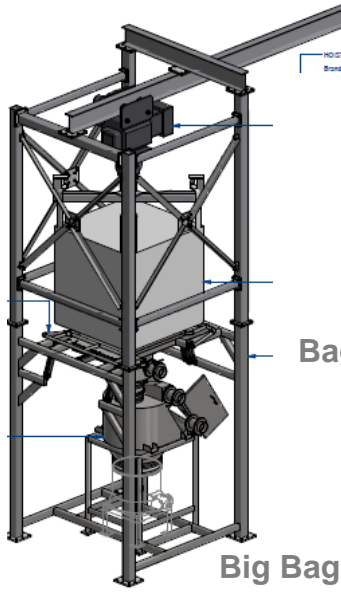


Pneumatic conveying pipe compression coupling and sight glass

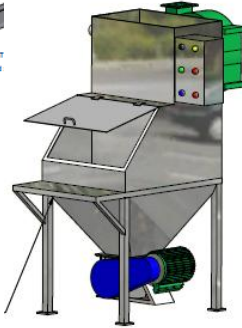
www.thereccorp.com



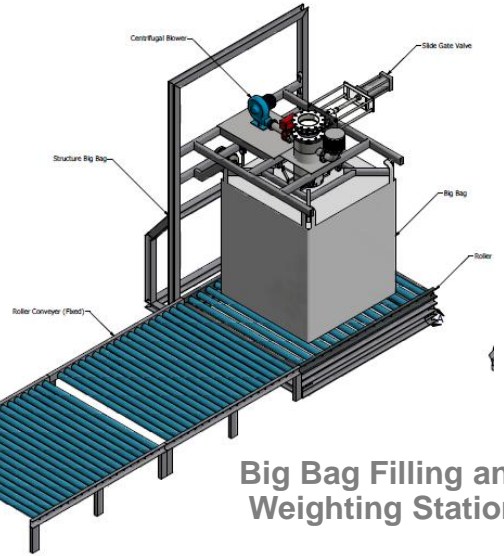
Bulk Material Handling Machine



Bag dump station



Big Bag Unloading Station



Big Bag Filling and Weighting Station



Food grade Screw Conveyor



Food Grade Lump breaker



Aero Mechanical Conveyor



Centrifugal Sifter



MF300

Compact and economical inline measurement



Flow switch



Mass flow meter



Therec Processing Machine Co., Ltd. www.trpm.co.th.com

Tel (662) 893 9003-4 (5 lines)

Fax : (662) 893 9005 , 893 9178

88 Soi Karnjanapisek 4/2 Karnjanapisek Rd. Bangbon Bangkok 10150 Thailand

General product TRPM 02 / 2016