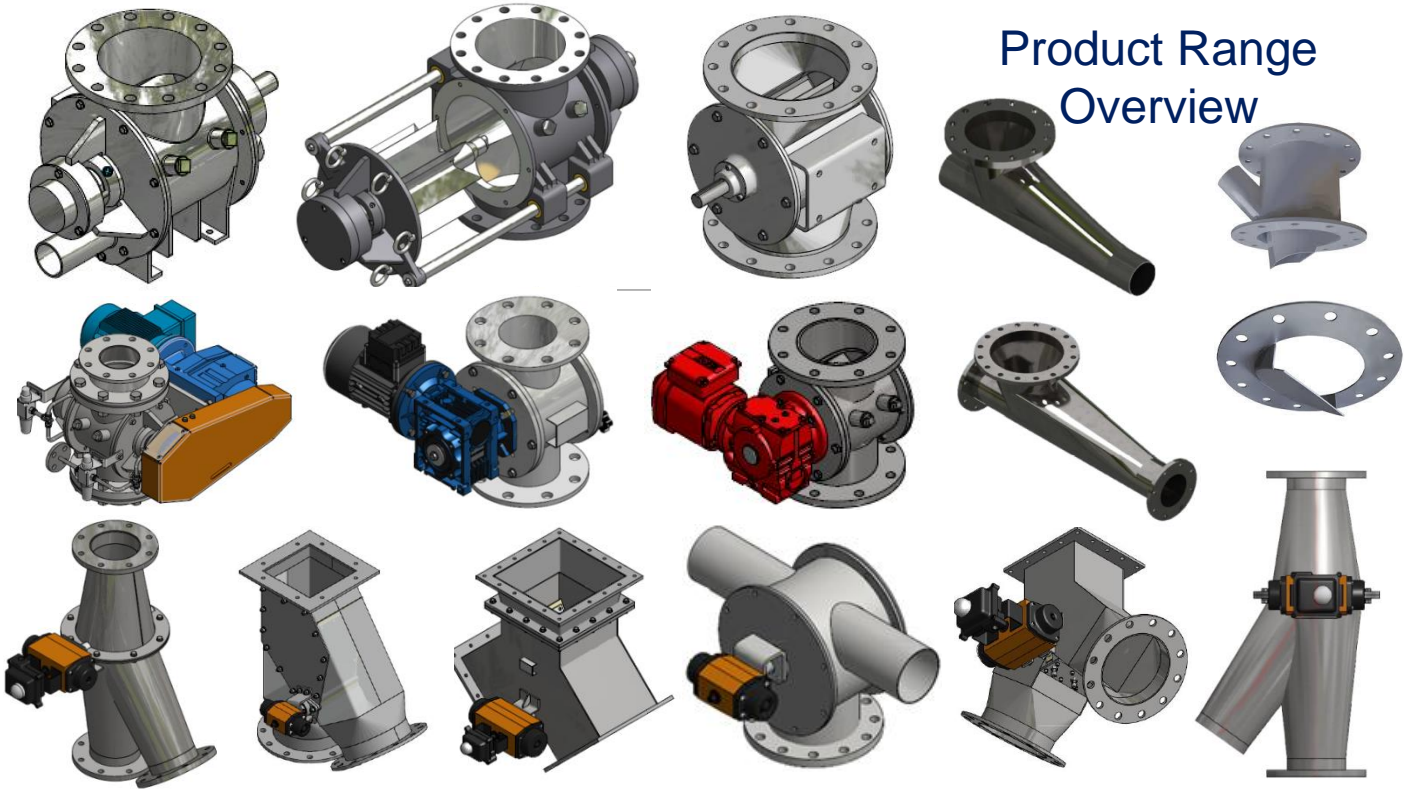
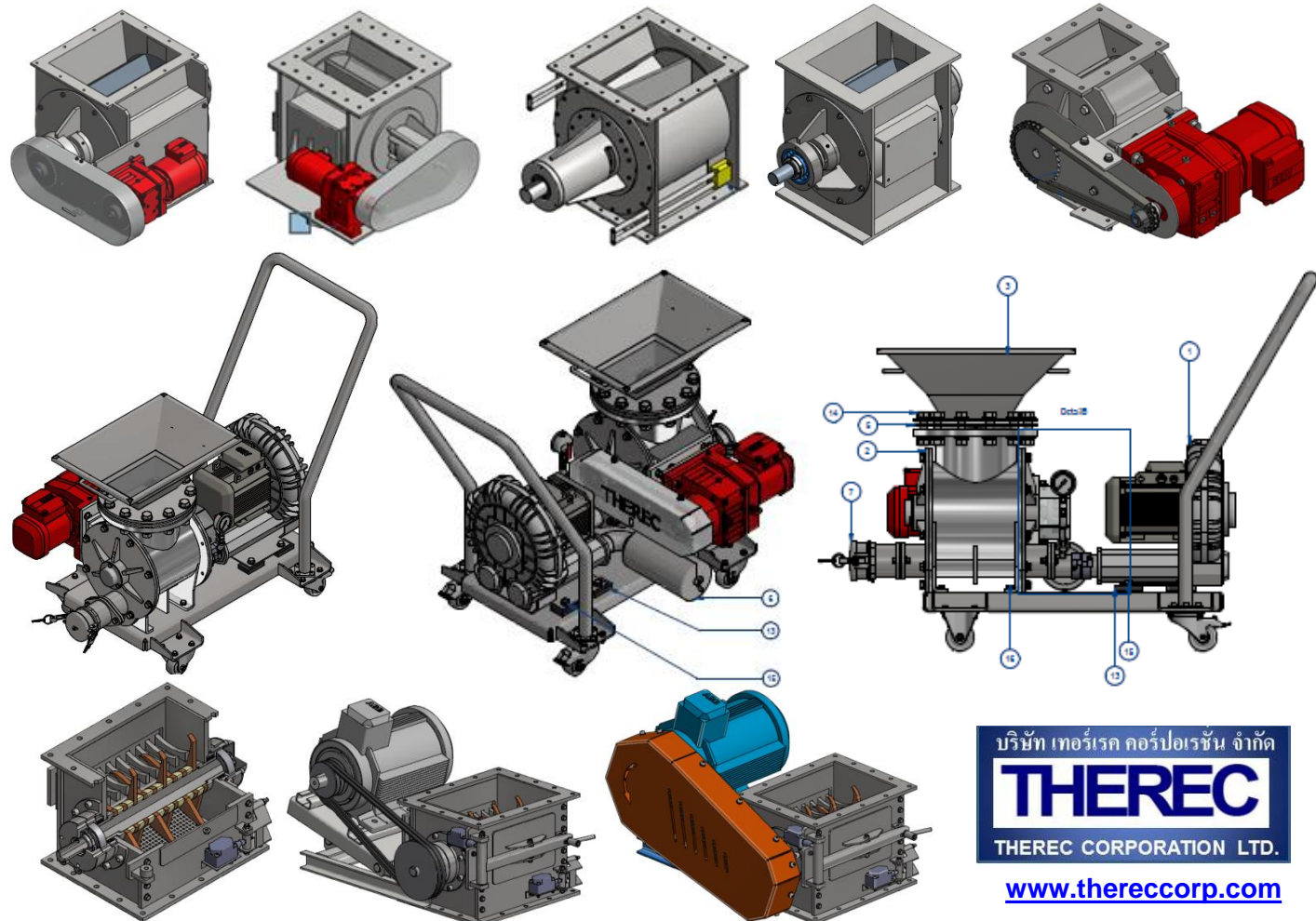


THEREC CORPORATION LTD.

Product Range Overview



Bulk Material Handling Rotary & Diverter Valve



ROTARY VALVE TRC / LIGHT DUTY FEEDING TYPE / (LF)



In board bearing, powder handling rotary valve for feeding, very low vacuum & pressure pneumatic conveying system
Vacuum down to – 50 mBar
Pressure up to + 50 mBar
Size 6,8,10,12 inches

ROTARY VALVE TRC /MEDIUM DUTY VALVE TYPE /(MD)



In board bearing powder and pellet handling rotary valve for free flow feeding, high vacuum and low pressure pneumatic conveying system
Vacuum down to – 800 mBar
Pressure up to + 800 mBar
Size 6,8,10,12,14,16 inches

ROTARY VALVE TRC / HEAVY DUTY VALVE TYPE / (HD)



Out board bearing, powder handling rotary valve for high vacuum & pressure pneumatic conveying system
Vacuum down to – 800 mBar
Pressure up to + 800 mBar
Size 6,8,10,12,14,16 inches

ROTARY VALVE TRC / COMPACT (EASY OPENING) TYPE / (CP)



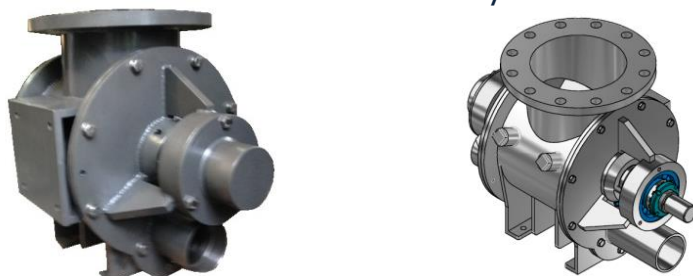
Compact & Easy clean Type, powder handling rotary valve for feeding, medium vacuum & low pressure pneumatic conveying system
Vacuum down to –500 mBar
Pressure up to + 500 mBar
Size 5,6,8 inches

ROTARY VALVE TRC / DOSING COMPACT TYPE



Dosing Compact Type, powder handling rotary valve for feeding, low vacuum & low pressure handling Powder weighting system
Vacuum down to –100 mBar
Pressure up to + 100 mBar
Size 5,6,8 inches

ROTARY VALVE TRC / HEAVY DUTY BLOW THROUGH TYPE (HD-BL)



Out board bearing blow through, powder & pellet handling rotary valve for high vacuum & pressure pneumatic conveying system
Vacuum down to – 800 mBar
Pressure up to + 800 mBar
Size 6,8,10,12,14,16 inches

ROTARY VALVE TRC / EASY CLEAN HEAVY DUTY – SLIDE ARMS TYPE / (HD-SL)



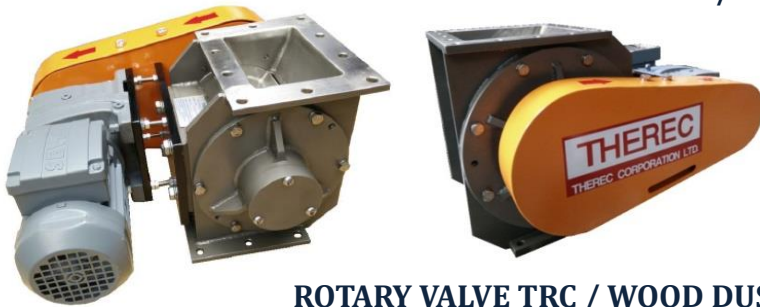
Slide arm Quick detachable, Easy clean Type, powder handling rotary valve for high vacuum & pressure pneumatic conveying system
 Vacuum down to –500 mBar
 Pressure up to + 500 mBar
 Size 8,10,12 inches

ROTARY VALVE TRC / EASY CLEAN HEAVY DUTY BLOW THROUGH SLIDE ARMS / (HBL-SL)



Quick detachable, Easy clean blow through Type, powder handling rotary valve for high vacuum & pressure pneumatic conveying system
 Vacuum down to –500 mBar
 Pressure up to + 500 mBar
 Size 8,10,12 inches

ROTARY VALVE TRC / PELLET TYPE (PL)



In board bearing pellet handling rotary valve for high vacuum and low pressure pneumatic conveying system
 Vacuum down to – 800 mBar
 Pressure up to + 800 mBar
 Size 6,8,10,12 inches

ROTARY VALVE TRC / WOOD DUST HAVY DUTY TYPE /(WD)



Out board bearing with hard chromed internal surface wood dust handling rotary valve for high vacuum & pressure pneumatic conveying system
 Vacuum down to – 500 mBar
 Pressure up to + 500 mBar
 Size 16,20 inches

DROP OUT BOX (Light Duty Venture for Rotary Valve)



Material in Carbon steel , Stainless steel 304, 316
 Size 6,8,10,12,14,16,20 inches

Various type of Rotor for each of Application

FLAP TYPE PNEUMATIC CONVEYING DIVERTER VALVE TRC



Flap Type, powder & pellet handling diverter valve for medium vacuum & high pressure pneumatic conveying system

Vacuum down to -300 mBar
Pressure up to $+800$ mBar
Size 3,4,5,6,8,10 inches

BALL TYPE DIVERTER VALVE



Ball Type, Carbon steel, Stainless 304, 316

Vacuum down to -800 mBar
Pressure up to $+1,000$ mBar
Size 2,2.5,3,4,5 inches

GRAVITY FEED FLAP TYPE DIVERTER VALVE TRC



Flap Type, powder & pellet handling diverter valve for gravity feeding

Vacuum down to -100 mBar
Pressure up to $+100$ mBar
Size 6,8,10,12,14,16,18,20 inches

GRAVITY FEED BUCKET TYPE DIVERTER VALVE TRC



Bucket Type, powder & pellet handling diverter valve for gravity feeding
Size 4, 6,8,10,12,14,16,18,20 inches

SCALE VALVE /FILL VENT VALVE



Carbon steel, Stainless steel 304, 316

Pressure up to $+300$ mBar
Size 2,3,4,5,6,8,10 inches

PRODUCT SAMPLING VALVE FOR FOOD INDUSTRY



Piston type Product Sampling valve
Stainless steel 304, 316
Size 2.0 inches