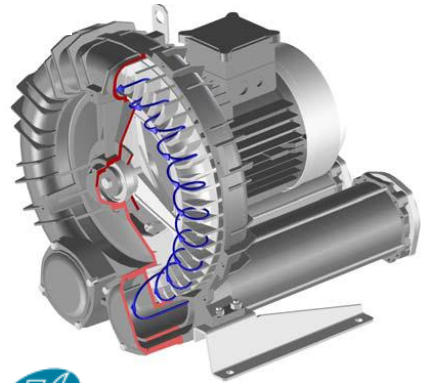
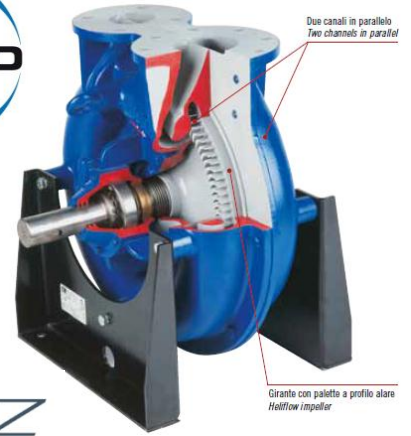
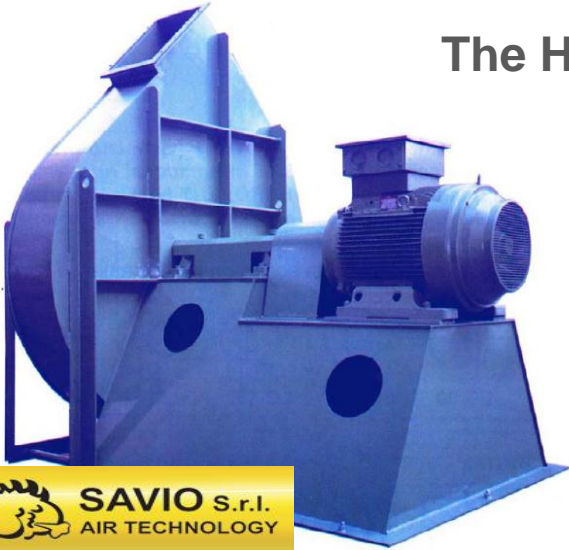


THEREC CORPORATION LTD.

The High Pressure Blower Company



THE WORLD'S LARGEST PRODUCER



MS Series /Single impeller ,Single stage
Flow rate Up to 1,234 m³/hr
Pressure up to +500 mBar
Vacuum down to -375 mBar
Material in Aluminium casting
ATEX explosion proof version is available



MD Series /Single impeller ,Double stage
Flow rate Up to 473 m³/hr
Pressure up to +750 mBar
Vacuum down to -500 mBar
Material in Aluminium casting
ATEX explosion proof version is available



TS Series /Twin impeller ,Single stage
Flow rate Up to 1,985 m³/hr
Pressure up to +450 mBar
Vacuum down to -350 mBar
Material in Aluminium casting
ATEX explosion proof version is available



TD Series /Twin impeller ,Double stage
Flow rate Up to 1,007 m³/hr
Pressure up to +650 mBar
Vacuum down to -500 mBar
Material in Aluminium casting
ATEX explosion proof version is available

ATEX
BLOWERS



THE ORIGINAL ROOTS BLOWER FROM USA



URAI Series / Bi lobe impeller
Flow rate Up to 4,026 m³/hr
Pressure up to +1,034 mBar
Vacuum down to -539 mBar
Material in Cast iron
GAS & Explosion proof version is available



RAM Series / Bi lobe impeller
Flow rate Up to 6,030 m³/hr
Pressure up to +1,240 mBar
Vacuum down to -539 mBar
Material in Cast iron
GAS & Explosion proof version is available



RAM-VJ Series / Bi lobe impeller
Water jet Vacuum pump
Flow rate Up to 4,250 m³/hr
Vacuum down to -813 mBar
Material in Cast iron



RBTM Series / Bi lobe impeller
Bulk Truck Blower
Flow rate Up to 4,250 m³/hr
Pressure up to +1,241 mBar
Material in Cast iron



Tri-RAM Series / Tri lobe impeller
Flow rate Up to 82,850 m³/hr
Pressure up to +1,000 mBar
Material in Cast iron



RAS ,RGS Series / Bi lobe impeller
Flow rate Up to 73,440 m³/hr
Pressure up to +2,413 mBar
Vacuum down to -539 mBar
Material in Cast iron
GAS & Explosion proof version is available

Turbotron / Peripheral Toroidal Blower



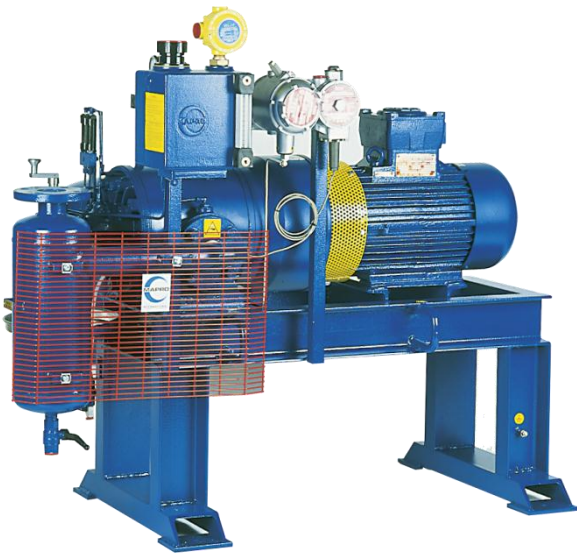
Flow rate Up to 1,900 m³/hr
Pressure up to +1,000 mBar
Vacuum down to -450 mBar
Material in Aluminium casting
ATEX explosion proof and Food grade
sanitary version is available

Centrifugal Blower



Flow rate Up to 2,800 m³/hr
Pressure up to +1,500 mmAq
Material in Aluminium casting
ATEX explosion proof and Bio gas
specially design version is available

Sliding vane Biogas compressor



Nota / Note:
Disponibile anche in esecuzione per
Zone 1 e 2, 21 e 22 della Direttiva Europea
94/9/CE (ATEX).
Also manufactured in conformity to the requirements of the European Directive 94/9/EC (ATEX) for Zones 1 and 2, 21 and 22.

Oil lubricant biogas compressor
Flow rate Up to 5,000 m³/hr
Pressure up to +4.0 BarG
Material in Cast iron with Kevlar special
reinforce blade
ATEX explosion proof for Bio gas digester
tank string purpose

Sliding vane Vacuum pump



Oil & Oil free lubricant Vacuum pump
Flow rate Up to 300 m³/hr
Vacuum down to -990 mBar

MAPRO INTERNATIONAL S.p.A.

Via E.Fermi,3 20834 NOVA MILANESE (MB) - Italia
Fax: +39 0362 450342 Tel. +39 0362 366356
web: www.maprint.com - e-mail: mapro@maprint.com

www.thereccorp.com

Multi Stage Air & Gas Centrifugal Blower



Flow rate Up to 4,500 m³/hr
Pressure up to 10,000 mmAq (1.0 bar)
Material in cast aluminium
Stainless steel shaft is available on option
Explosion proof, ATEX version. is available
Special seal for gas tight version
Internal special coating for corrosive gas & Biogas



Industrial Type Centrifugal Blower



Flow rate Up to 400,000 m³/hr
Pressure up to 2,800 mmAq
Material in Carbon & Stainless steel
Stainless steel shaft is available on option
Explosion proof version. is available
Internal special coating for corrosive gas & Biogas

Industrial Type Axial flow fan



SAVIO S.r.l. 

Flow rate Up to 150,000 m³/hr
Pressure up to 165 mmAq
Material in Carbon & Stainless steel
High temperature version is available
Extraction towers for roofs

Axial flow and Centrifugal Fans

www.thereccorp.com



In-line fans with removable bodies and small size for high temperatures (250°C) designed to work interleaved in chimney ducts
Flow rate Up to 2,900 m³/hr
High temperature option, up to 250 degree C



Fan designed with the most advanced technology & experience to withstand extreme working condition in oven, drier and other application with high temperature and humidity
Flow rate Up to 68,000 m³/hr
High temperature option, up to 150 degree C



Centrifugal single-inlet, medium & high-pressure fans with casing and impeller made from cast aluminium
Flow rate Up to 2,300 m³/hr
Pressure up to 945 mmAq
High temperature option, up to 250 degree C



Centrifugal single-inlet, medium-pressure fans with casing and straight-blade impeller made from cast aluminium to transport dust and solids
Flow rate Up to 3,115 m³/hr
Pressure up to 945 mmAq
High temperature option, up to 250 degree C

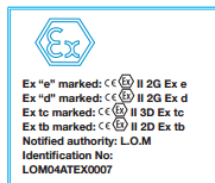


Plastic anticorrosive centrifugal fans with and without ATEX certification
Flow rate Up to 4,500 m³/hr
High temperature option, up to 400 degree C



Smoke extract roof fans 400°C/2h centrifugal roof fans with horizontal or vertical outlet air
Flow rate Up 10,429 m³/hr
High temperature option, up to 400 degree C

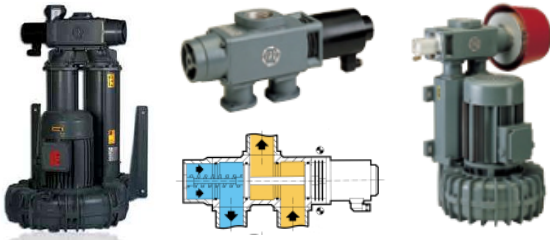
Explosive atmospheres ATEX fans
High efficiency "Efficient Work" fans



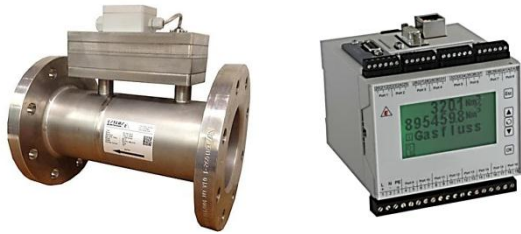
Blower Accessories and Related Equipment



Pressure and Vacuum relief valve
 Size 1.0,2.0,3.0 & 4.0 inches
 Flow rate Up to 2,000 m³/hr
 Pressure up to 600 mBar
 Vacuum down to 450 mBar



Flow Reversing Valve ,Size 2.0 & 3.0 inches
 Pneumatic and Electrical control, 24 VDC
 and 220 VAC



Bio gas Flow Meter size, 1.0" to 16.0" with
 Flow computer controller & System
 Flow measuring from 0.2 to 16,000 m³/hr



Air and Gas diffuser for waste water
 treatment aeration system
 Material in Polyurethane and EPDM



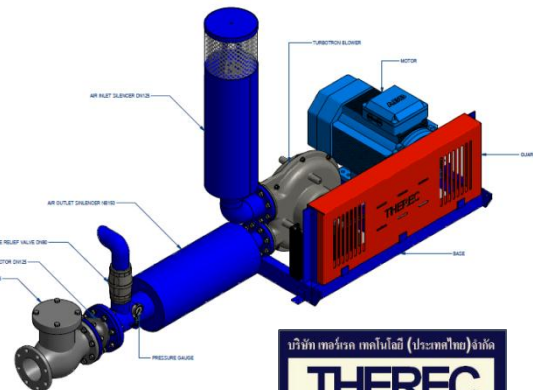
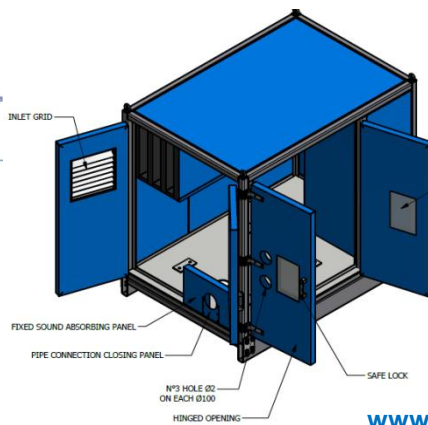
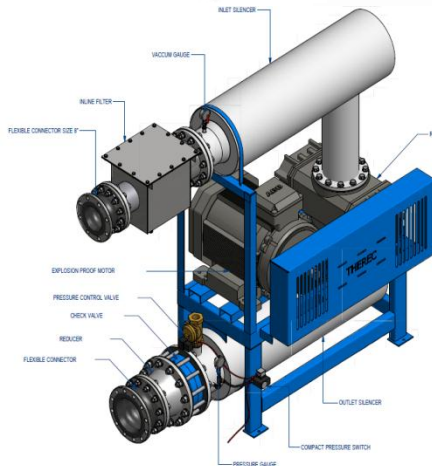
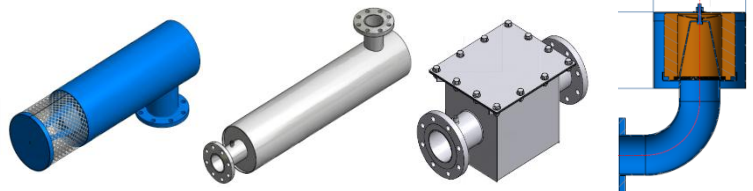
PRO₂AIR[®] Pre-PUR 602



Our own manufacturing Equipment



Acoustic enclosure and Silencer for high
 pressure blower noise control
 Noised Reduction level from 5 dBA to 20 dBA
 Material in Carbon and Stainless Steel



www.trtt.thereccorp.com/



Engineering design package set



Roots Blower Package for waste water treatment aeration system / Thai Union Frozen Product (Public) Co.,Ltd.



Roots Blower Package with filter and header / in SUS 304 / for waste water treatment plant
Biogas boosting set for Electrical power generator
Ubol Ethanol Bio Power Co.,Ltd.



Roots Blower Package for pneumatic conveying system
The Siam Cement (public) Co.,Ltd.



Ring Blower Package for pneumatic conveying system
United Food Co.,Ltd.



Multi stage centrifugal Blower
Biogas boosting set for Electrical power generator
Ekarat Bio Power Co.,Ltd.

On site Installation Service & Commissioning



Therec Corporation Ltd.

www.thereccorp.com

Tel ☎ (662) 893 9003-4 Fax : (662) 893 9005

88 Soi Karnjanapisek 4/2 Karnjanapisek Rd. Bangbon Bangkok
10150 Thailand

Food grade product TRC 001 2017