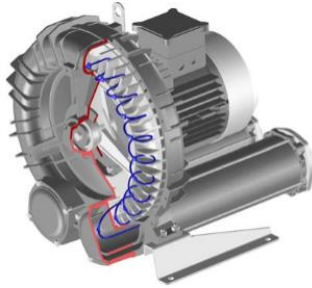
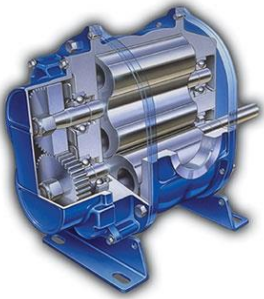


THEREC ENGINEERING & CONSULTING CO., LTD.

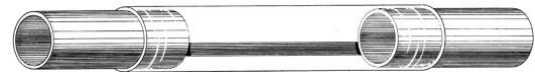
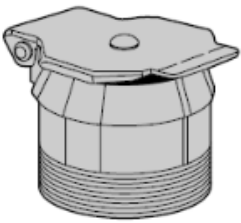
**Pneumatic Conveying / Bulk Material Processing
Air & Gas Handling Equipment & Component**



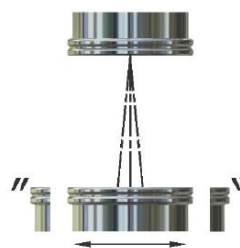
**High pressure blower
Ring / Roots / Centrifugal**



**Air lock Rotary, Diverter
Gate, Pinch & Butterfly valve
Industrial and Food grade**



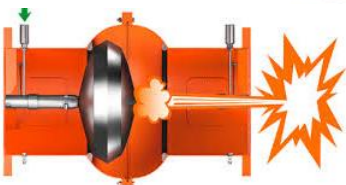
**Compression & Cam Lock
couplings, Side glass**



**Flexible connecting &
Flexible hose for bulk
material handling**



**Dust explosion protection
equipment, Bursting panel
Isolated valve, Anti-det
suspension**



Imported Brand Equipment Product

www.thereceng.com
www.thereccorp.com

Tel. : 662 8939003-4
sales@thereccorp.com

High Pressure Blowers and Vacuum pump



Bi-lobes & Tri-lobes PD / Roots Air & Gas blower

Large Sizes Air and Gas blower



Bulk Truck Blower

Water seal Vacuum pump

Small & Large sizes Dry Vacuum pump



Regenerative / Ring Air & Gas blower



Flow reverse valve

Pressure & Vacuum relief valve

ATEX BLOWERS



EEx "e" marcado: CE II 2 G. EEx e
EEx "d" marcado: CE II 2 G. EEx d
Organismo notificado: L.O.M.
Nº de identificación: LOM3ATEX0147



Centrifugal blower

Axial Flow Fan

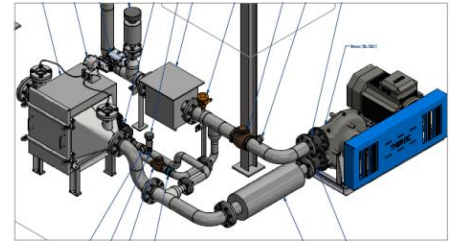
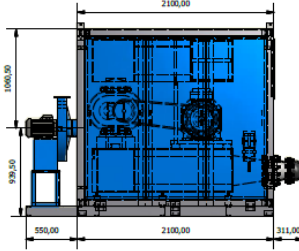
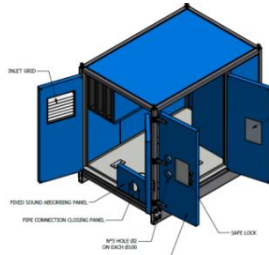
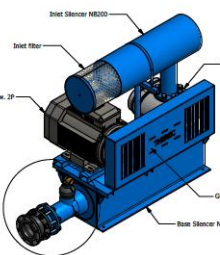
Multi stage centrifugal blower

Tel. : 662 8939003-4

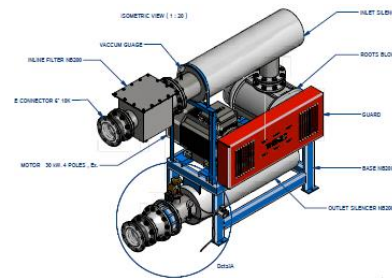
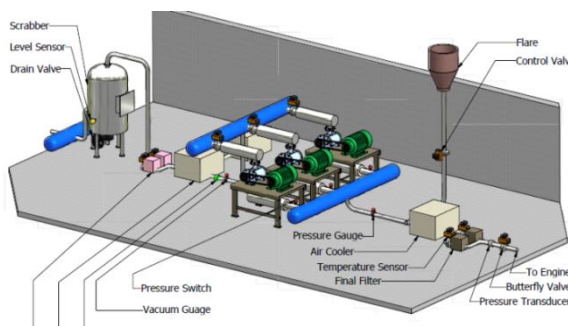
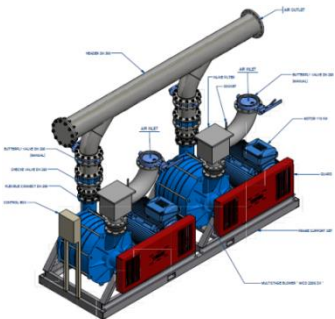
sales@thereccorp.com



Acoustic Enclosure & Roots/ Ring/ Multi Stage centrifugal Blower package



TRC Blower Package set



RAM 406-G-DPJ high pressure gas blower for digester gas applications.



This two-stage VJ vacuum pump package is employed on VSA (Vacuum Swing Adsorption) duty.



Bulk material Handling Accessories



Diverter valve



Cipriani Harrison Valves Pvt. Ltd.



Standard Sight Glass



Guarded Sight Glass

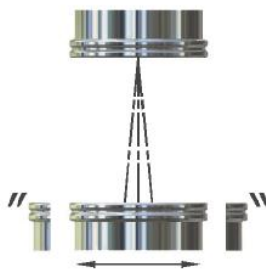
Sight glass



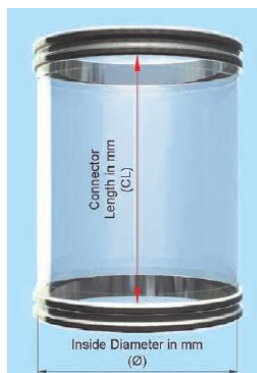
In-line static equipment
IG = CL - 10mm (Minimum)



Off Set equipment
IG = CL - 20mm (Minimum)



Oscillating equipment
IG = CL - 40mm (Minimum)

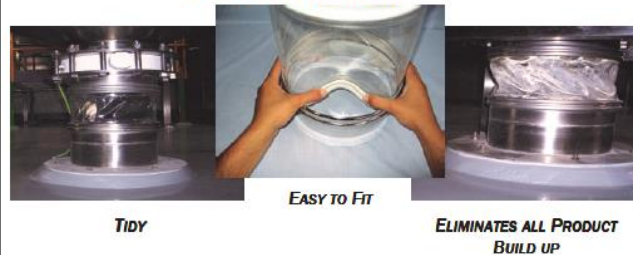


Seeflex Regulations - EC, FDA, USDA, 3A

FROM THIS....



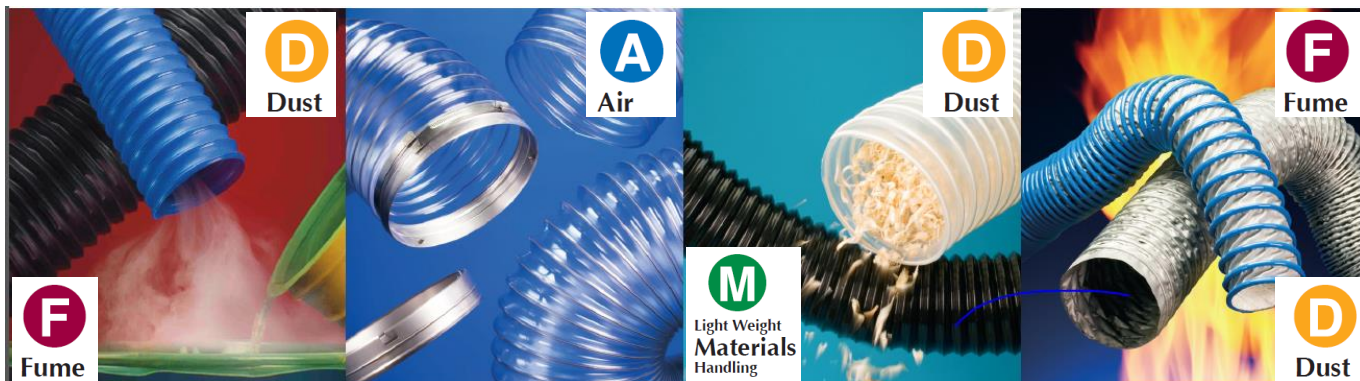
TO THIS....



Flexible Hose • Ducting • Accessories

Flexible hose for air, gas and bulk material transferring

QUALITY HOSES
FOR OVER 65 YEARS



Tel : 662 893 9003-4 Fax : 662 893 9178 / E-mail : sales@thereccorp.com

Flexible Horse & Connector

www.thereceng.com
www.thereccorp.com



Dust Explosion Protection Equipment

VIGILEX®  CE



Flame Arrester

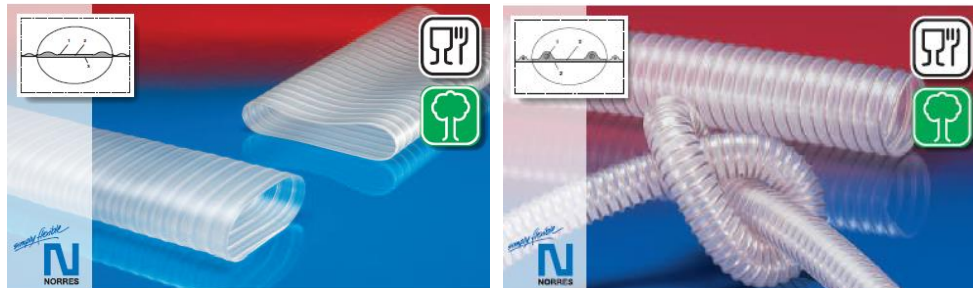
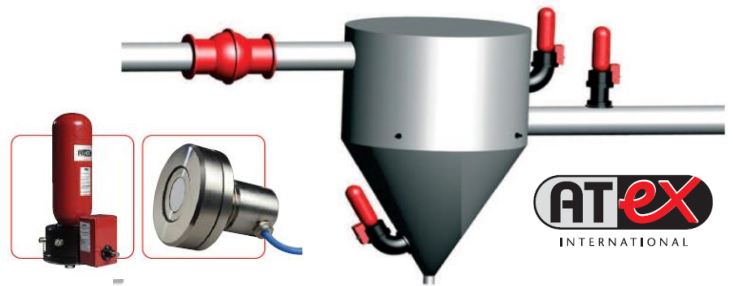
Explosion Isolation Equipment

- Active Quick Sliding valves
- Passive Barrier valves
- Explosion diverters
- Extinguishing barriers



Explosion Suppression Equipment

- Pressure detection (dynamic/static)
- Infrared detection
- Suppression systems with reusable valves
- Hot Water Advanced Inserting Systems
- ATEX Powder Suppression



simply flexible
N
NORRES
 TECHNISCHE SCHLÄUCHE
 INDUSTRIAL HOSES

Sanitary/ Food grade flexible hose



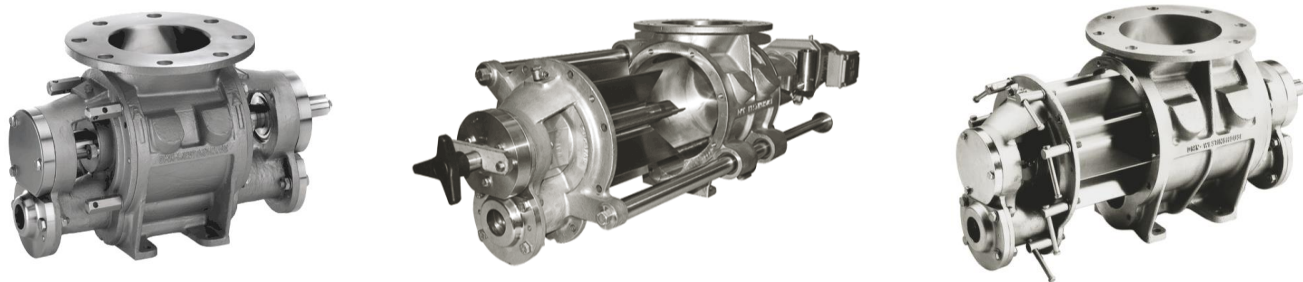
Flexible connector & Adaptor

sales@thereccorp.com

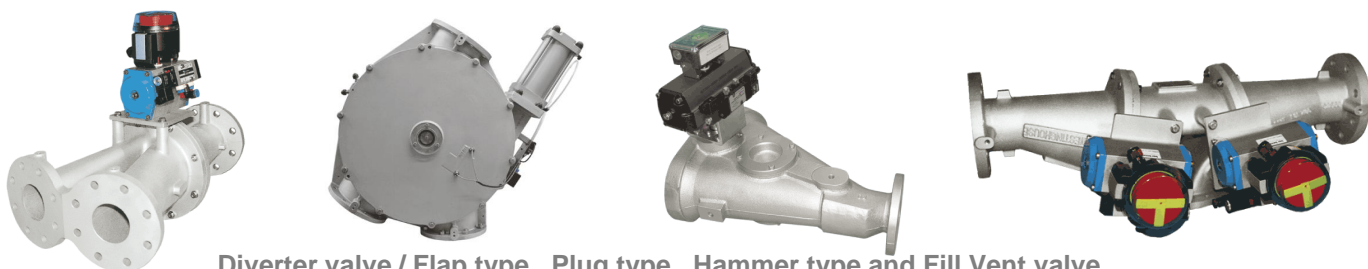
Rotary and Diverter Valve (European best seller valve)



Drop Through Rotary valve / normal , quick detachable Food and dairy valve type



Blow Through Rotary valve / normal , quick detachable and dairy valve type



Diverter valve / Flap type , Plug type , Hammer type and Fill Vent valve

Bulk material Handling Valve & Accessories



Pinch valve



Air Knocker



Cast iron and Stainless steel Slide gate valve



Pneumatic conveying pipe compression coupling and sight glass



Our Quality Commitment



Imported Equipment Product

Tel. : 662 8939003-4
sales@thereccorp.com

Bulk material Handling Valves & Component



Quick detachable / Normal / Slide arm, Easy clean Food grade Rotary Feeder in Stainless Air lock type and Feeding type



Quick detachable , Easy clean, Food grade, Screw Feeder in SUS 304 ,316



Quick detachable , Movable , Food grade, Screw Feeder in SUS 304 ,316



Easy Clean, Food grade, Magnetic Separator



Long Bends & Venture



Food grade, Loading Bellow in Stainless



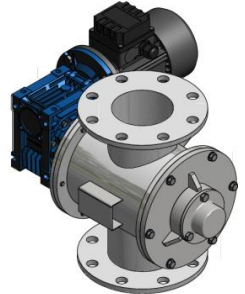
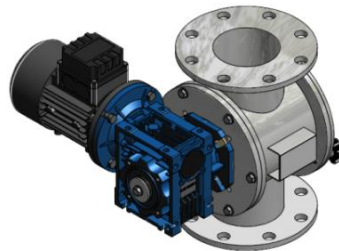
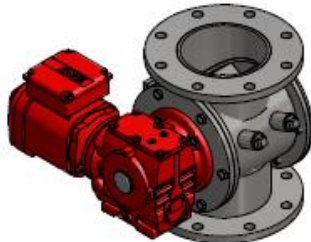
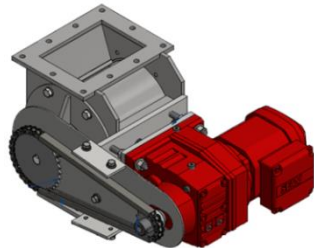
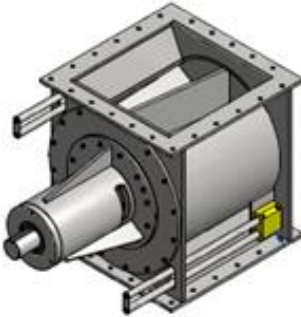
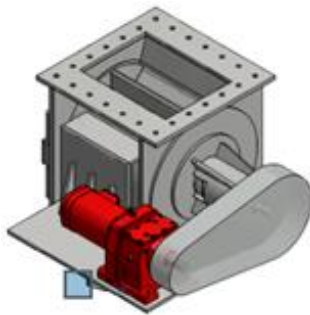
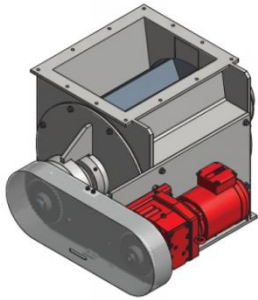
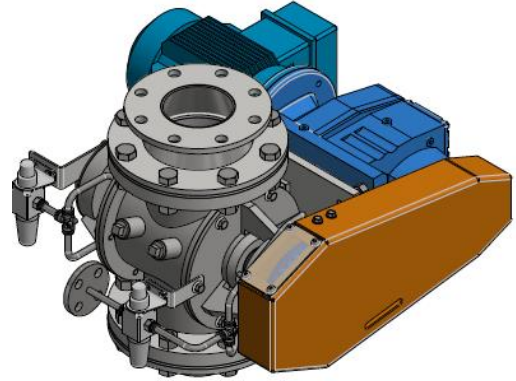
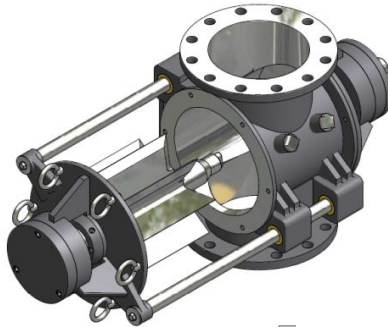
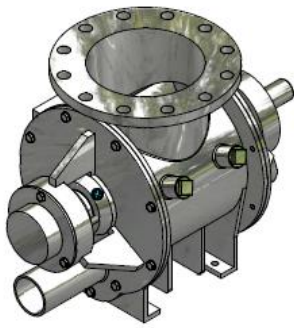
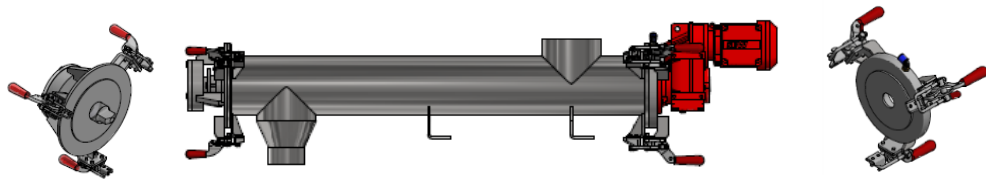
Food Sampling Valve



Food grade, Diverter Valve



Bulk Material Handling Rotary & Diverter Valve



TRC Rotary / Diverter Valve and Accessories

