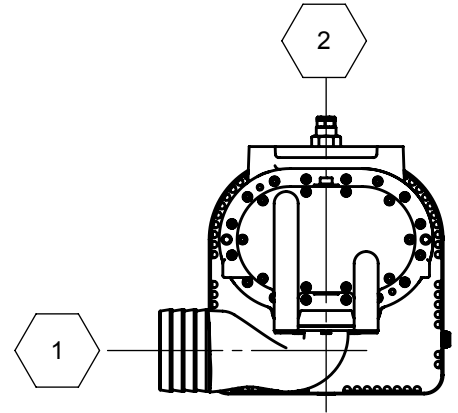
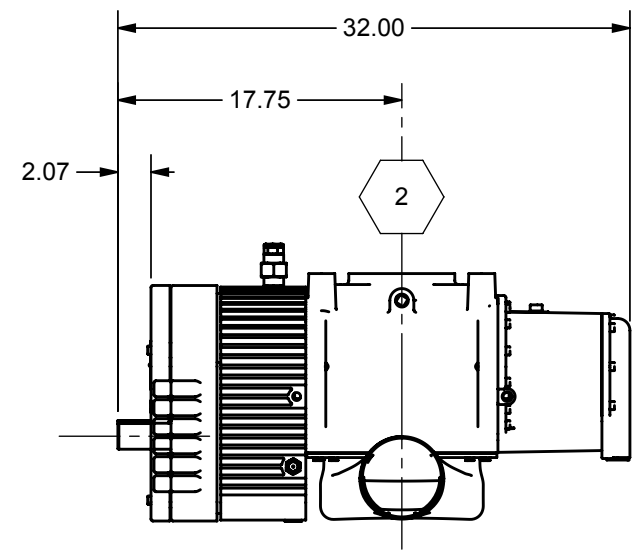
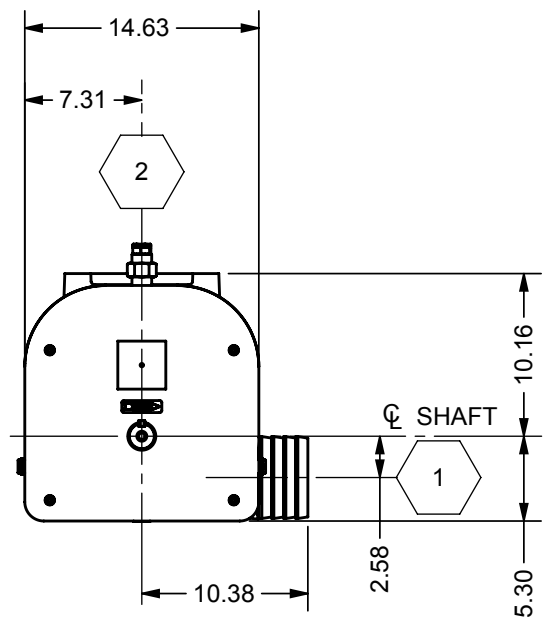
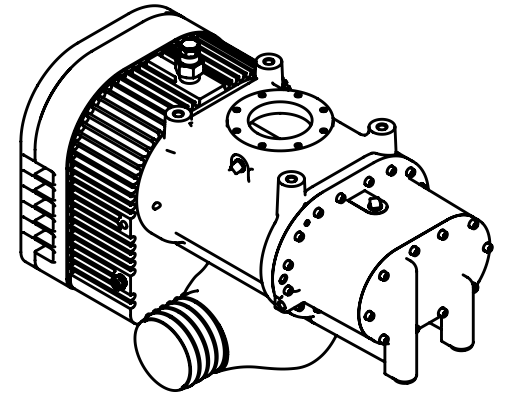
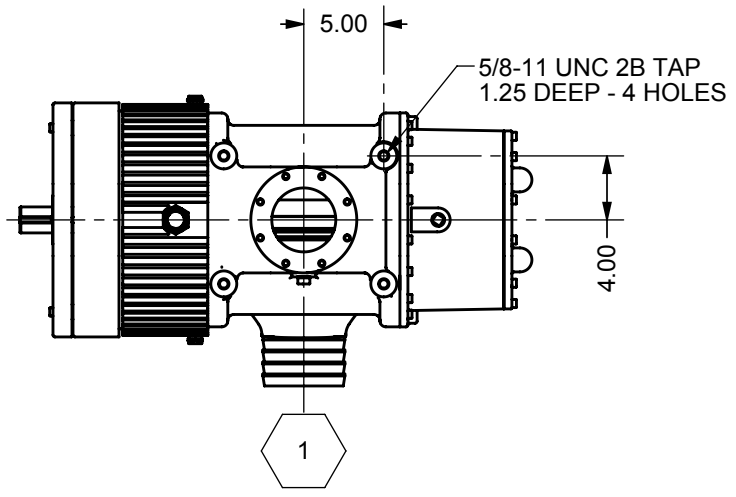


CONNECTIONS


1	5" INLET BARB CONNECTION
2	4" TTMA DISCHARGE FLANGE CONNECTION - ϕ 6.63 OD X ϕ 4.00 ID - (8) 3/8-16 TAPPED HOLES .75 DEEP STRADDLE THE CENTERLINE ON 5.88 ϕ BOLT CIRCLE

SHAFT INFORMATION
 ϕ 1.625 +.001/-0.000 W/ .375 X .188 KEYWAY



CONFIDENTIAL AND PROPRIETARY: THIS DRAWING IS CONFIDENTIAL AND IS THE PROPERTY OF HOWDEN ROOTS, LLC. THE DRAWING OR ANY PART THEREOF MUST NOT BE COPIED OR OTHERWISE REPRODUCED OR DIVULGED TO ANY OTHER PARTY, OR USED FOR MANUFACTURE OR OTHER PURPOSE WITHOUT THE EXPRESS PERMISSION OF THE COMPANY.

MFG. REF. :		SPEC SECTION:			ENGINEER CO:			MAT'L. :		PATT. No. :		GEOMETRIC TOLERANCE PER: EP938		ORDER No.	
								DR. KEG 3/13/2015		DIMENSIONAL TOLERANCES PER UNLESS OTHERWISE SPECIFIED T1		DO NOT SCALE FOR DIMENSIONS ALL DIMENSIONS SHOWN IN BRACKETS [] ARE MILLIMETERS		THIRD ANGLE PROJECTION	
								CHKD.		T1: TWO PLACE DECIMALS (.XX)--- \pm .015 THREE PLACE DECIMALS (.XXX)--- \pm .005 FRACTIONAL--- \pm 1/64		T2: ANCHOR BOLT LOCATIONS \pm .13 BLOWER INLET & DISCHARGE LOCATIONS \pm .25 ALL OTHER DIMENSIONS REFERENCE		FINISH IN μ INCHES	
A RELEASED								APP. PM 3/16/2015		OUTLINE BARE UNIT		412 HPT		RC-204267021	
B REVISED DRAWING TITLE		BRK 9/15/16 17144V RDA						DBV. KEG 3/13/2015							
REVISIONS		BY DATE M/D/Y CHANGE NOTICE			CHKD APP			CAD FORMAT SOLIDWORKS		CAD FILE / DIRECTORY RC-204267A21 /		SCALE 1-1/2"=1'-0"		DATE M/D/Y	



Howden
 Connersville, IN USA
 P: 765-827-9200 F: 765-827-9266

RC-204267021
 SHEET 1 OF 1

REV B