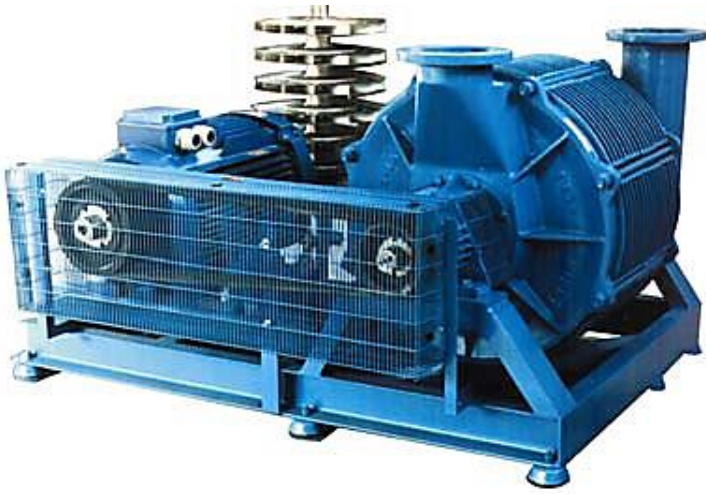


# THEREC CORPORATION LTD.

Total Solution for Biogas Blower and Compressor  
Process & Equipment for Biogas Boosting & Aeration System



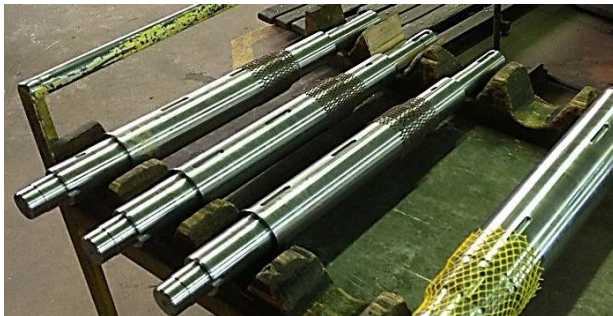
**Multi Stage Centrifugal Type Blower**



**SAVIO** s.r.l.  
AIR TECHNOLOGY



**ATEX**



**Stainless Steel Shaft in ATEX version**



**Therec's In house package assemble**



**SAVIO** s.r.l.  
TECNOLOGIA DELL'ARIA

Via Reggio Calabria,13 – Cascine Vica Rivoli (TO) Italia  
Tel: (+39) 011. 959.16.01 Fax: (+39) 011. 959.29.62  
E-mail : savio@savioclima.it http:// www.savioclima.it

**Thai Eakarot Biogas Plant / Kampangpetch**

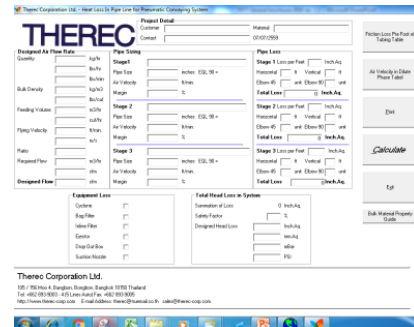
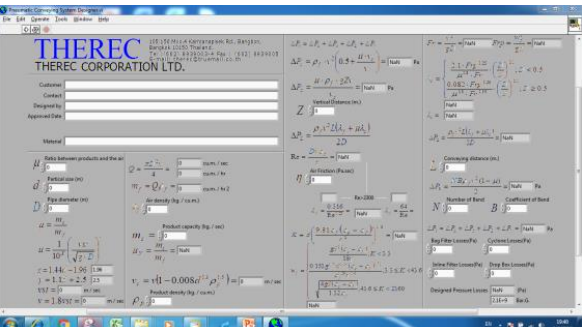
[www.thereccorp.com](http://www.thereccorp.com) / [www.thereccorp.com](http://www.thereccorp.com) / [www.thereccorp.com](http://www.thereccorp.com)



# Side channel (Ring) Blower Package



**Engineering system design support Service for both Air and Gas Handling process /Loss ,Pressure, Flow and Etc.**



**The sizing program both from our principle oversea and in house development by THEREC**



# Roots / Positive Displacement (PD) / Rotary Type Blower



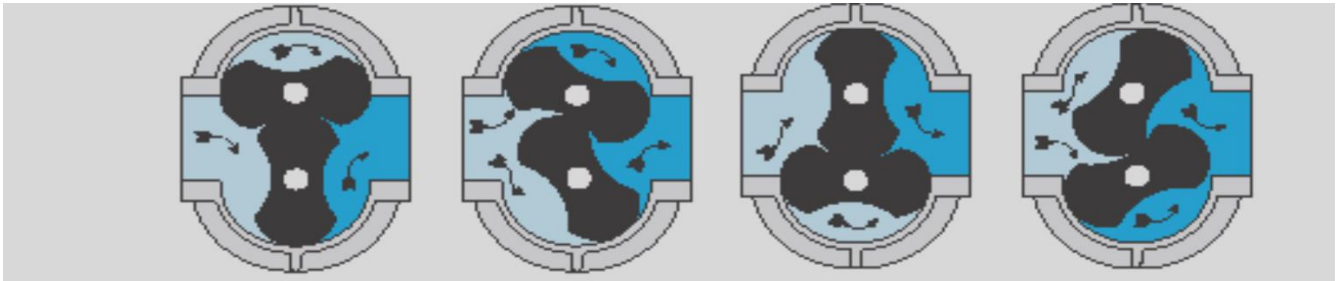
URAI-G small gas blower



RAMG-J medium size gas Blower



RGS-J Large size gas blower



## Rotary Positive Blower Principle of Operation

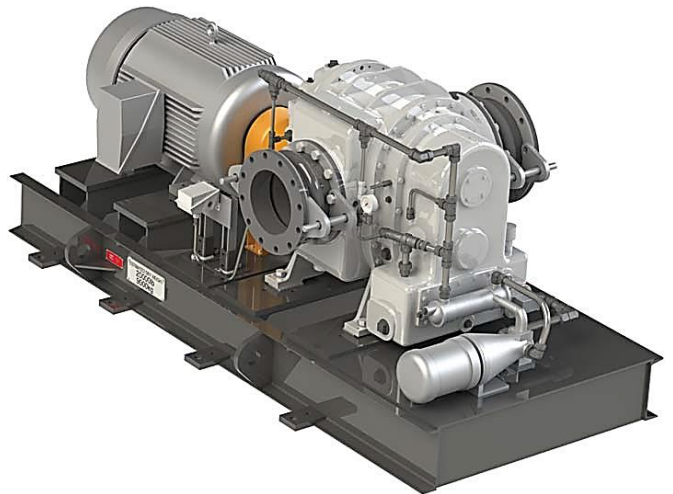
Two figure-eight lobe impellers mounted on parallel shafts rotate in opposite directions. As each impeller passes the blower inlet, it traps a finite volume of air and carries it around the case to the blower outlet, where

the air is discharged. With constant speed operation the displaced volume is essentially the same regardless of pressure, temperature or barometric pressure. Timing gears control the relative position of the impellers to each

other and maintain small, but defined, clearances. This allows operation lubrication being required inside the air casing.



Belt Drive Package Gas Blower



Direct Couple Package Gas Blower

**The original ROOTS blower still leads the way.™**



GE Energy  
 Houston, Texas Headquarters | U.S. Toll Free Phone: 1 877-363-ROOT(S) (7668) | Direct Phone: +1 832-590-2600  
 Connersville, Indiana Operations | Direct Phone: +1 765-827-9200  
 Waukesha, Wisconsin Operations | Direct Phone: +1 262-650-5965

# Membrane Air & Gas Diffuser



PRO<sub>2</sub>AIR Pre-PUR® has a wider operating range than EPDM and silicone

Betriebsbereiche Membranrohrbelüfter PRO <sub>2</sub> AIR Pre-PUR® / Operating ranges of PRO <sub>2</sub> AIR Pre-PUR® membrane tube diffusers				
	Minimum/ <b>Minimum</b> Nm <sup>3</sup> /(h*m <sub>Bel./aer.</sub> )	Normal/ <b>Normal</b> Nm <sup>3</sup> /(h*m <sub>Bel./aer.</sub> )	Maximum/ <b>Maximum</b> Nm <sup>3</sup> /(h*m <sub>Bel./aer.</sub> )	Spülbetrieb*/ <b>Purging*</b> Nm <sup>3</sup> /(h*m <sub>Bel./aer.</sub> )
Pre-PUR®	1,0	3,0 - 8,0	15,0	18,0
EPDM	2,0	6,0 - 8,0	12,0	15,0
Silikon/ <b>Silicone</b>	2,0	4,0 - 6,0	10,0	12,0

\* = die empfohlenen Zeitintervalle zum Spülbetrieb entnehmen Sie bitte der Montage-, Betriebs- und Wartungsanleitung / \* = please refer to the fitting, operating and maintenance instructions for the recommended purge intervals.

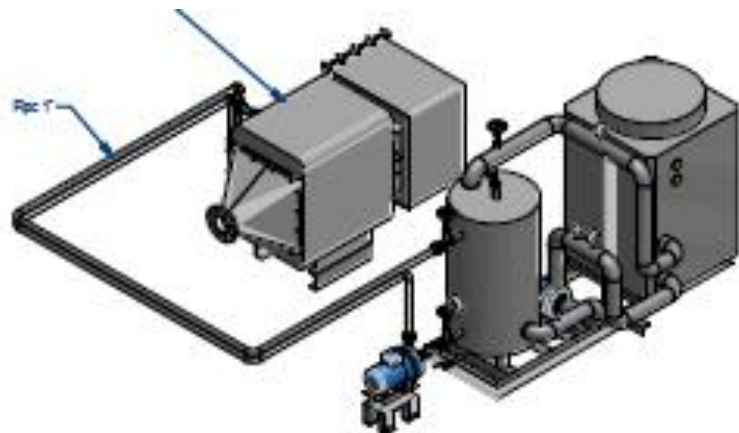
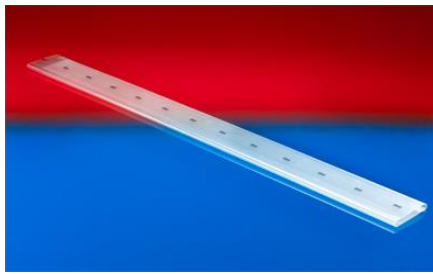


Plate type Air and Gas Dryer and Cooler

Lower Pressure loss, Longer Heat Exchanger Life time than the conventional Fin & Tube type



**Therec Corporation Ltd.** <http://www.thereccorp.com>

Tel : (662)893 9003-4 Fax : (662)893 9005 E-mail : sales@thereccorp.com

88 Soi Karnjanapisek 4/2 Karnjanapisek Rd. Bangbon Bangkok 10150 Thailand

General product TRS 01 / 2017